



**MIZORAM RURAL BANK**  
**HEAD OFFICE , AIZAWL, MIZORAM**

e-mail : fa@mizobank.com

INVITES TENDERS

Dated 16/10/2023

FOR

**INTERIOR WORKS AND ELECTRICAL WORKS FOR BUNGHMUN BRANCH**  
**AIZAWL DISTRICT**

Submission Start Date: 16-10-2023  
Last date for Submission of Tender: 16-11-2023 3:00 PM  
Opening of Tender: 16-11-2023 3:30 PM

**The General Manager,**  
**Mizoram Rural Bank, Head Office**  
**MINECO, Khatla, Aizawl**  
**Mizoram 796001**



View Tender

**Basic details**

Department	: Fixed Assets & Premises	Reference number	: CM(FA)/2023-24/337	DATED: 23-06-2023
Brief scope of work	: <b>TENDER FOR INTERIOR WORKS AND ELECTRICAL WORKS FOR BUNGHMUN BRANCH</b>			
Details	: TENDER FOR INTERIOR WORKS AND ELECTRICAL WORKS FOR BUNGHMUN BRANCH			
Product / service / work keywords	: Interior Composite Works & Electrical works			
Estimated Cost	: 15.07lakh+GST			
Stage	: N/A	Envelope	: Price bid	
Type of contract	: Works	Download document	: Before login	

**Bid Submission Configuration**

Mode of Bid Submission	: Offline	Bidding access	: Open
Base currency	: INR		
Consortium	: Not allowed	Bid Withdrawal	: Allowed

**Key configuration**

Bidding variant	: N/A	Pre-bid meeting	: Don't allow
-----------------	-------	-----------------	---------------

**Place, Time and date for submission of Tender**

Tenders are available at	: <a href="https://mizoramruralbank.in/">https://mizoramruralbank.in/</a>	Bid Submission end date	: 16-11-2023 00:00	Time 03:00:00 PM
Bid submission start date	: 16-10-2023	Time :	11:00:00 AM	
Bid opening date	: 16-11-2023	Time :	03:30:00 PM	

**Document / EMD / Security fee detail**

Document fees	: Not required	Security fee	: Don't allow
EMD	: Not required	Event-wise registration charges applicable	: Not required

**Schedule of Works**

Period of commencement	: 14 days from the date of the letter of issue of the work order.	Security fee	: Don't allow
Duration of completion of work	: 74 days from receipt of the Work Order	Defects liability period	: 6 months from the date of issue of virtual completion and handing over the completed work for the Bank

**Eligible Taxes**

- Contractor should have GST Registration Number.
- The invoice should specifically/separately disclose the amount of GST levied at the applicable rate as per GST provisions/Rules.
- In case of correction in the bills after scrutiny, the contractor should submit fresh bills for payment.
- The contractor should timely file his GST return in accordance with GST provisions to enable the bank to claim the credit of GST paid to the contractor.

**Terms of Payment of Bills**

- No Advance will be paid
- No RA Bill will be entertained and the final Bill will be paid on satisfactory completion of the works as per measurement of actual quantity
- The bill may be submitted to "The Chairman, Mizoram Rural Bank, Head Office, MINECO, Khatla, Aizawl, Mizoram" for payment of bills after complete and satisfactory delivery of the item.
- The GST number of MIZORAM RURAL BANK : **GSTIN 15AAAAM1725F123**

## SCOPE OF WORK/ CONTRACT

The Brief Scope of work involves the following.

1. False ceiling
2. Various furniture work consists of Work stations, partitions, storage cabinets etc.
3. Painting
4. GLASS WORK, PANELLING ETC
5. Various Electrical works consists of LAN cabling etc
6. Floor Tiles/Carpets
7. Bricks Wall Construction with Toilet reconstruction

The Contractor shall carry out and complete the said work in every respect in accordance with this Contract and with the directions of and to the satisfaction of the Employer. The Architect with approval of Employer or Employer issues further drawings and/or written instructions, detailed directions, and explanations which are hereafter collectively referred to as 'Instructions' in regard to:

- a) The variation or modification of the design quality or quantity of works or the addition or omission or substitution of any work.
- b) Any discrepancy in the drawings or between the estimate and/or drawings and/or specifications.
- c) The removal from the site of any defective material brought thereon by the contractor and the substitution of any other material thereof.
- d) The demolition removal and/or re-execution of any work executed by the contractor/s.
- e) The dismissal from the work of any persons employed there upon.
- f) The opening up for inspection of any work covered up.
- g) The rectification and making good of any defects under clauses hereinafter mentioned and those arising during the maintenance period (Defect Liability Period). The contractor shall forthwith comply with and duly execute any work comprised in such Employer's or his agent / Architect's instructions, provided always that verbal instructions, directions and explanations given to the contractor's or his representative upon the works by the Employer's or his agent / Architects shall, if involving a variation, be confirmed in writing to the contractor/s within seven days. No works, for which rates are not specifically mentioned in the estimate, shall be taken up without written permission of the Employer. The employer as provided in clause "variation" shall fix rates of items not mentioned in the estimate.

## GENERAL CONDITIONS OF CONTRACT

In constructing these conditions, the specifications, the schedule of quantities, tender following words shall have the meaning herein assigned to them except where the subject or context otherwise requires.

- i. Employer: The term employer shall denote Mizoram Rural Bank having Head office at MINECO, Khatla, Aizawl, Mizoram and any of its employees representative authorized on their behalf.
- ii. RA: The term RA shall mean Running Account Bill
- iii. Advance payment means a payment made on a running account to a contractor for work done by him
- iv. Contractor: The term contractor shall mean \_\_\_\_\_ (Name and address of the contractor)
- v. Site: The site shall mean the site where the works are to be executed including any building and erection thereon, allotted by the employer for the contractor's use.
- vi. Drawings: The work is to be carried out in accordance with drawings, specifications, estimates, and any further drawings which may be supplied or any other instruction, which may be given by the Employer or Architects during the execution of the work. All drawings relating to work given to the contractor together with a copy of estimates are to be kept at site and the Employer / Architects shall be given access to such drawings or estimates wherever necessary. In case any detailed Drawings are necessary contractor shall prepare such detailed drawings and/or dimensional sketches and have it confirmed by the Employer as the case may be prior to taking up such work. The contractor shall ask in writing for all clarifications on matters occurring anywhere in drawings, specifications, and estimates or for additional instructions at least 10 days ahead from the time when it is required for implementation so that the Employer may be able to give a decision thereon.
- vii. "The Works" shall mean the work or works to be executed or done under this contract.
- ix. "The Estimates" shall mean the estimate as specified and forming part of this contract.
- x. "Priced bid" shall mean the price with the accepted quoted rates of the contractor.
- xi. 'Notice in Writing' or written notice shall mean notice in writing, type or printed characters sent (unless delivered personally or otherwise provided to have been received) by registered post to the last known private or business address or registered office of the addressee and shall be deemed to have been received when in the ordinary course of post it would have been delivered.
- xii. 'Virtual Completion' shall mean the premise is in the opinion of the Employer fit for occupation.
- xiii. Words importing persons include firms and corporations. Words importing the singular only, also include the plural and vice verse where the Context requires.

**FORM OF SUBMISSION OF TENDER**  
**(To be filled by the tenderer)**

**The General Manager,  
Mizoram Rural Bank,  
Head Office, MINECO,  
Khatla, Aizawl ,  
Mizoram 796001**

Dear Sir/Madam,

**SUBJECT: TENDER FOR INTERIOR WORKS & ELECTRICAL WORKS FOR BUNGHMUN BRANCH, LUNGLEI DISTRICT**

I/ We hereby declare that I/ We have carefully gone through the conditions laid down in the Notice Inviting Tender, Schedule of works, Term of payment of bills, etc., and clearly understood all the same and on the basis of the same I/We quoted our rates in the Estimate/Price Bid attached with the tender notice.

I / We do hereby undertake to execute and complete the whole or part of the work (as desired by you) at the respective rates quoted(Enclosed).

If this Tender is accepted, I / We further agree to complete the work included in the estimates within the time mentioned in the tender from the date of the work order issued to commence the same.

I / We agree not to employ sub-contractors other than those that may be approved by the Employer. I / We agree to pay all taxes, and charges as prevailing from time to time, on such items for whom same is to be levied by/ for the government, and the rates quoted by me/us are inclusive of all the same.

Yours Faithfully,

Contractor's Signature : \_\_\_\_\_

Name : \_\_\_\_\_

Address: : \_\_\_\_\_

\_\_\_\_\_

DATED: \_\_/\_\_/\_\_\_\_

BRANCH NAME : BUNGHMUN BRANCH  
ESTIMATE/PRICE\_BID FOR INTERIOR & ELECTRICAL WORKS

To

Date\_\_\_\_\_

Sl. No	Name of Item	Qty.	Rate	Amount (in Rs.)
1	<b>COUNTER CUBICLES WITH SIDE TABLE</b> :Providing and fixing Single Window (SW) counter cubicles. The standrad SW cubicle pattern is combination of 3 counters with one open cubicle in between two closed cubicles. Each cubicle size is not less than 60inch length x 68.5inch depth x30inch high comprising the following: Note: The rate should be quoted for one cubicle including the cost of partition, door, counter table, side table, front and side vertical glasses)	3		
	<b>i) Partition with door (night latch lock):</b> The SW cubicle shall be of not less than 60inchx72inch size made with partition of 60inch high with flush door ,it will have night-latch lock with D-handle 5inch.			
	<b>ii) Counter table:</b> The counter writing top not less than 60inch width and 34inch depth at about 30inch level made out of made of 17mm/18mm thick durataff ply structure. Thereafter a double layer of Flexiply (12mm + 6mm thick). All exposed external surfaces to be finished with durataff laminate & internal surfaces finished with durataff laminate of approved shade. Front counter support for 30 inch height shall have a design to provide 18mm ply finished with laminate			
	<b>iii) Autolock-Drawer unit:</b> One set of 3 drawers with auto locking system about 16inch width, 28inch height and 23inch deep supported with 17/19mm durataff ply at Front, two sides. 3 Nos. of drawer which 2 Nos. of equal height and 1 No. drawer at the bottom of 10 inch height lipping, telescopic drawer slides, Individual auto locking arrangement, 4inch long brush finish SS handles, etc., complete. Top most cash drawer should be arranged with provisional for denomination partition with 10mm thick durtaff ply. and finished with 1mm thick post-formed laminate of approved colour and shade			
	<b>iv) Side table Unit:</b> Providing and fixing side storage cabinet of size 36inch as storage cabinet but the top of the side storage cabinet shall have an extended top of 12inch			
	<b>v) Counter front glass and side vertical glass:</b> Providing and fixing 12mm thick toughened glass using PT Standard fittings like PT 90/PT 92 of Dorma or equivalent make in the counter front of size 60inch wide and 24inch to 32inch high and also in the front edge of the each bifurcating partition of a vertical glass of 50inch wide and 16inch high at the top and 8inch at the bottom including cutting, making holes in glass and fixing the fittings in partition/ glass/ floors etc and making the same good with necessary screws, sealants wherever required.			
	<b>vi) Keyboard tray</b> made out of 17/18mm thick durataff Ply laminate of approved colour and shade with necessary Telescopic slides and 50mm Dia SS Brush Finish wire manager of approved make and quality.			
	<b>vii)</b> Foot rest cum CPU stand of required length with same 17/18 mm durataff Ply laminate of approved colour and shade.			
	<b>viii)</b> All concealed faces of ply finished with one coat of wood preservative paint and all exposed edges/ faces shall be provided with beading finished with DUCO/PU paint to the satisfaction of the Client/ Architect. Table, Drawer inside should be finished with laminate of approved colour and shade.			
2	<b>TABLES WITH PU/DUCO PAINTED EDGE MOULDING:</b> Providing & fixing in position tables of following sizes made of 17/18mm Durataff ply at top, side & front, support along with three drawer and cabinet unit & keyboard tray with telescopic arrangement & CPU base (150mm wide) resting on footrest, including 18mm durataff ply Modesty panel. All external surfaces to be finished with durataff Laminate & internal surfaces finished with durataff laminate of approved shade & make, including powder-coated fittings like telescopic sliding channel for keyboard & drawers, medium duty hinges for shutter, cable manager, 4" long S.S.Brush finish handles in approved design & size and locks wherever directed in approved make. The edge of the table shall be fixed with beading/ moulding painted with PU/DUCO paint. All exposed ply edges to be finished with Beading having 03 coats of French polish in approved shade and necessary locks to shutters etc. complete in all respects.			
	<b>i) BM Table :72 x 38 x 30 inches</b>	1		
	<b>ii) Officer Table : 60 x 30 x 30 inch</b>	-		
	<b>iii) Assistant/Clerical Tables :50 x 27 x 30 inch</b>	-		
	<b>iv) Grahakamitra Table : 60 x 50 x 30inch</b>	1		

<b>Total :</b>			
3	<b>MEETING / DINING TABLE</b> Providing and fixing meeting/ dining table of size 48x36 inches made with specification same as of Table item no.(2) above but without drawer / storage unit complete as directed.	-	
4	<b>CUSTOMER TABLE :</b> (5ft x 2ft x30inch) Providing & Fixing table made with specification same as of Table item no.(2) above but without drawer	2	
5	<b>PASSBOOK UPDATE/CW TABLE/SERVER TABLE</b> (5ft x 2ft x30inch) Providing and fixing table made with specification same as of Table item no.(2) above but with drawer/storage unit complete as directed and making holes for cable manager.	1	
6	<b>8 MM GLASS ON TABLE TOP</b> Providing and fixing 8mm thick glass on table top size 60 to 70inch including edge polishing and making holes for cable manager.	4	
7	<b>SIDE CREDENZA TABLE CUM STORAGE CABINET</b> Providing and fixing side credenza table of size 35inch to 48inch long, 16/17inch deep X 30inch high with 2 drawer units /openable shutter cabinet with shelve made out of 17/18 mm thick ply with beading on edges, 6 mm thick commercial ply on back with one coat of wooden primer, laminate/paint on all external surfaces & laminate/paint on all internal surfaces, 4" long brush finished stainless steel handles, locks, magnets for shutters and three coats of French polish to beading.	2	
8	<b>STORAGE CABINETS 28Lx16Bx30H:</b> Providing and fixing 16/17inch deep X 30inch high Storage Cabinets made out of 17/18 mm thick commercial ply with beading on edges, 6 mm thick commercial ply on back with laminate ply, laminate/paint on all external surfaces & laminate/paint on all internal surfaces, 4" long brush finished stainless steel handles, locks, magnets for shutters and three coats of French polish to beading.	54	
9	<b>EXTRA COST OVER STORAGE CABINETS</b> Extra cost over item no. 8 (storage cabinets) for providing deep more than 16/17mm up to 24inch and also for fixing it as overhead cabinets	2	
10	<b>FIXED WRITING LEDGE WITH BOX PANELING</b> Providing and fixing writing ledge made of 17/18mm ply and 12mm glass fixed to wall in such a way that the ledge shall be supported to the side boxing 6"x6". The 6"x6" boxing shall be extended up to a height of 82inch in the shape of an inverted U. The ledge table as per drawing of size about 48inch long and 12 to 16inch width to shape at about 42inch from floor level finished with laminate of approved colour and shade. The ledge will have 12mm clear float glass with edge polished at top & bottom and 6 verticals to be fixed on ply boxing with with necessary S.S "D" bracket.	2	
11	<b>CURTAIN :</b> Supply & fixing 36 inch wide x 84inch high approved make approved colour curtain with drapery rods complete with twisting and sliding arrangements as required.	14	
12	<b>EMULSION PAINT</b> Prepare surface and paint two coats of plastic emulsion paint of approved colour and shade over a coat of primer including wall putty after thoroughly scrapping the existing internal walls	1200sqft (Approx.)	
13	<b>ENAMEL PAINT</b> Prepare surface and applying two coats of Synthetic Enamel paint of approved colour and shade over a coat of anti corrosive paint after thoroughly scrapping the existing paint	1792sqft (Approx.)	
14	<b>GYPBOARD/PVC FALSE CEILING:</b> Providing & Fixing in horizontal level false ceiling as required. Material to be Used: _____ Note: The false ceiling area will be measured in flat area only	551sqft.	
15	<b>SYSTEM SERVER TABLE:</b> (5ft x 2ft x30inch) Providing and fixing table made with specification same as of Table item no.(2) above but with drawer/storage unit complete as directed and making holes for cable manager.	1	
16	<b>PANELLING TO WALL/ COLUMN WITH 17/18MM laminate ply</b> Providing and fixing paneling to wall/ column with 17/18mm thick laminate ply screwed firmly to the wall/ column and painting/laminate in specified designs & approved colors, with skirting, etc. complete in all respect in vertical plum level and as directed with beadings polishing complete as directed	3	
17	<b>FLUSH DOORS IN PARTITION</b> Providing and fixing flush doors of solid/ partly glazed/ fully glazed in a partition with 35mm thick solid core flush shutter finished with 1mm laminate of approved color and shade on both sides with necessary grooves, 8mm thick clear float glass of size 250 x 1400mm with etching fixed with required size rebate TW/ beach wood molding/ beading as per drawing. Each door shutter shall be provided and fixed with hardware fittings like hinges (4nos.), hydraulic door closer, door stopper, mortice lock, SS brush finish handles 32mm dia & 600mm long on both sides, etc. ('Dorma' or equivalent make). All frames and shutters to be polished with melamine polish/duco/PU paint after properly preparing the surface.	5	
18	<b>12MM THICK TOUGHENED HALF SOLID GLAZED PARTITION</b> Providing and fixing double skin solid/ fully or partly glazed partition with 6mm thick glass panels with film/ etching/ acid wash in designs/ patterns for heights above 82inch & up ceiling height as per drawing and following specifications	11	
19	<b>CARPET/Floor Tiles:</b> Providing and fixing Floor tiles/Carpet with not less than 1mm thick, floor Area 965 sq/ft	700sqft (Approx.)	
20	<b>Document Room Partition</b>	5	
21	<b>Dyna Roof Structure and Cement Works 6ftx3ftx9ft</b>	164sqft	
22	<b>UPS Room Door Partition 4x9ft with door</b>	1	
23	<b>Main Door Rolling Shutter with Air Conditioner Panel Door</b>	1(4x6)ft	
24	<b>Demolition of Wall 144 sqft</b>	-	
25	<b>Pantry Table &amp; Sink</b>	1	
26	<b>Toilet</b>	0	
27	<b>ELECTRICAL WORKS:</b> i) <b>POINT WIRING :</b> Wiring for light point/ fan point/ exhaust fan point/ call bell point with 1.5 sq.mm FR PVC insulated copper conductor single core cable in surface heavy gauge PVC conduit, with modular switch, modular plate, suitable GI box and earthing the point with 1.5 sq.mm. FR PVC insulated copper conductor single core cable etc as required.	60	
	ii) Wiring for group controlled (looped) light point/fan point/exhaust fan point/ call bell point ( without independent switch etc.) with 1.5 sq. mm FRLS PVC insulated copper conductor single core cable in surface/	10	

	recessed PVC conduit, and earthing the point with 1.5 sq. mm FRLS PVC insulated copper conductor single core cable etc. as required.			
	iii) Wiring for twin control light point with 1.5 sq. mm FRLS PVC insulated copper conductor single core cable in surface /recessed medium class PVC conduit, 2-way modular switch, modular plate, suitable GI box and earthing the point with 1.5 sq. mm FRLS PVC insulated copper conductor single core cable etc. as required	10		
	iv) Wiring for wall mount fans with 3 Module Box along with 1 no 6A socket and 1 no 6A Switch including 3 runs of 1.5 sq.mm PVC FR copper conductor including all connections etc. as reqd.			
25	<b>EARTHING</b> Earthing with copper earth plate 600 mm X 600 mm X 3 mm thick including accessories, and providing masonry enclosure with a cover plate having locking arrangement and watering pipe of 2.7 meters long etc. with bentonite /charcoal/ coke and salt as required.	1		
	i) Providing and fixing 4.00 mm dia copper wire on the surface or in recess for loop earthing along with existing surface/ recessed conduit/ submain wiring/ cable as required.			
26	Supplying and fixing 5 A to 32 A rating, 240/415 V, 10 kA, "C" curve, miniature circuit breaker suitable for inductive load of following poles in the existing MCB DB complete with connections, testing, and commissioning etc. as required. a Single pole b Single pole and neutral c Double pole d Triple pole e Triple pole and neutral	110 6 4 4		
27	<b>MCB/DB</b> Providing and fixing following rating and breaking capacity and pole MCCB with thermomagnetic release and terminal spreaders in existing cubicle panel board including drilling holes in cubicle panel, making connections, etc. as required. a 100 A,30KA,FPMCCB b 125 A,36KA,FPMCCB	4 0		
28	Supplying and fixing of following ways surface/ recess mounting, vertical type, 415 V, TPN MCB distribution board of sheet steel, dust protected, duly powder painted, inclusive of 200 A tinned copper bus bar, common neutral link, earth bar, din bar for mounting MCBs (but without MCBs and incomer ) as required . (Note : Vertical type MCB TPDB is normally used where 3 phase outlets are required.) a 4 way (4 + 12), Double door b 8 way (4 + 24), Double door			
29	<b>CIRCUIT/UPS/POWER/SUBMAIN</b> MCB Havels Mche 10A MCB Havels Mche 16A MCB Box (3 way) Switch (Modular) 5A Switch (Modular) 16A Plug 5A (Modular) Plug 16A (Modular) Box 6 way (Modular) Box 8 way (Modular) Casing Caping 2' Casing Caping 1' Accessories LED 15 Watt Ceiling Panel Bulb Casing Caping Nails etc. Multistand Cable 6mm coil Multistand Cable 2.5mm coil Multistand Cable 1.5mm coil Energy Metre & Phase Test Report Copper Strip 1' for earth wise (Kg) Bentorite (Bag) Mainswitch 32A  Wooden Metre Box Clip for Copper strips LED bulb (9 watt) with holder Work Charge			
	<b>Total :</b>			
			<b>Grand Total</b>	

**PLACE** :

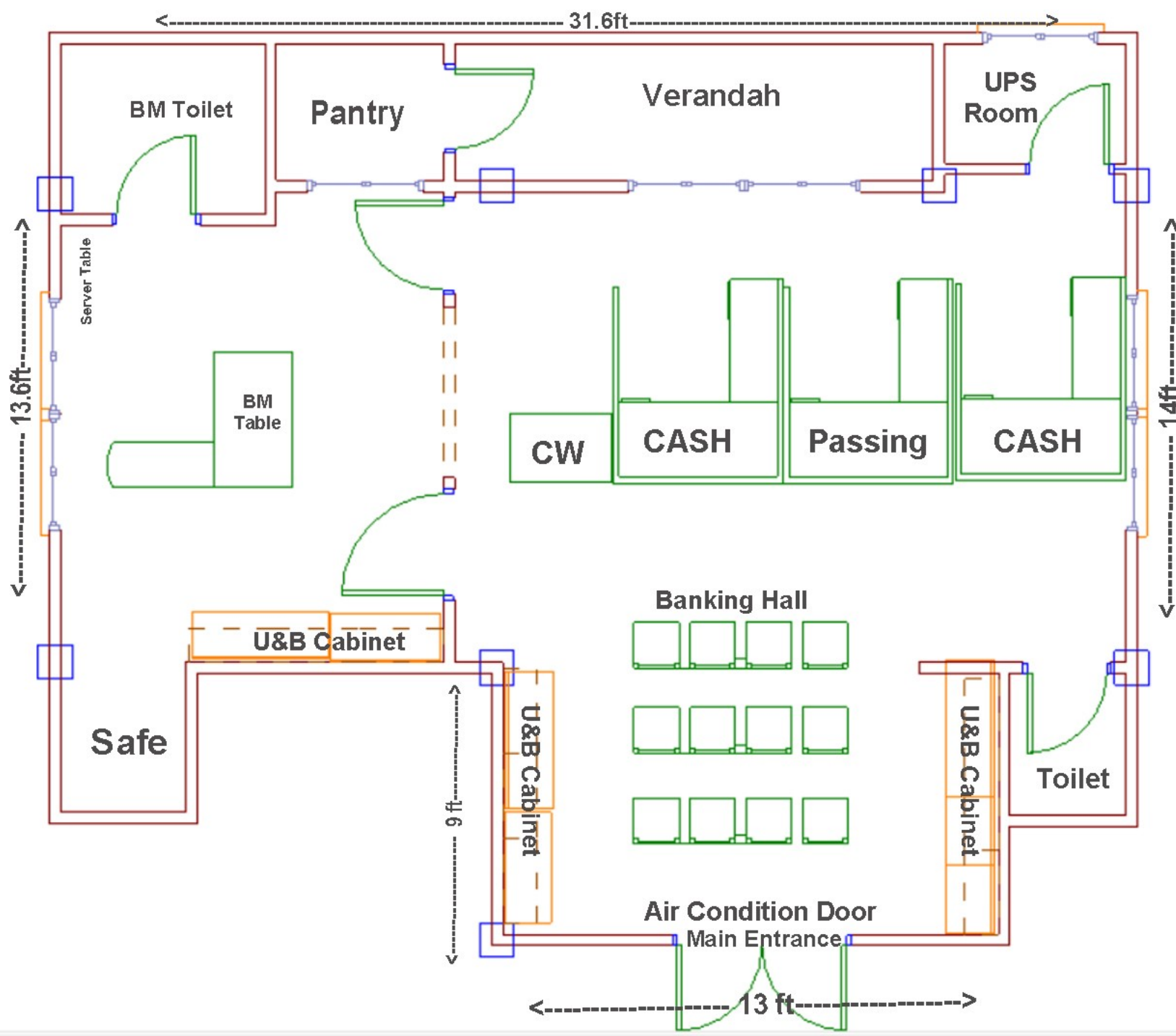
**DATE** :

**NAME** :

**ADDRESS** :

(Signature of the Tenderer)

With Seal



# Bunghmun Branch

Area : 551 Sqft